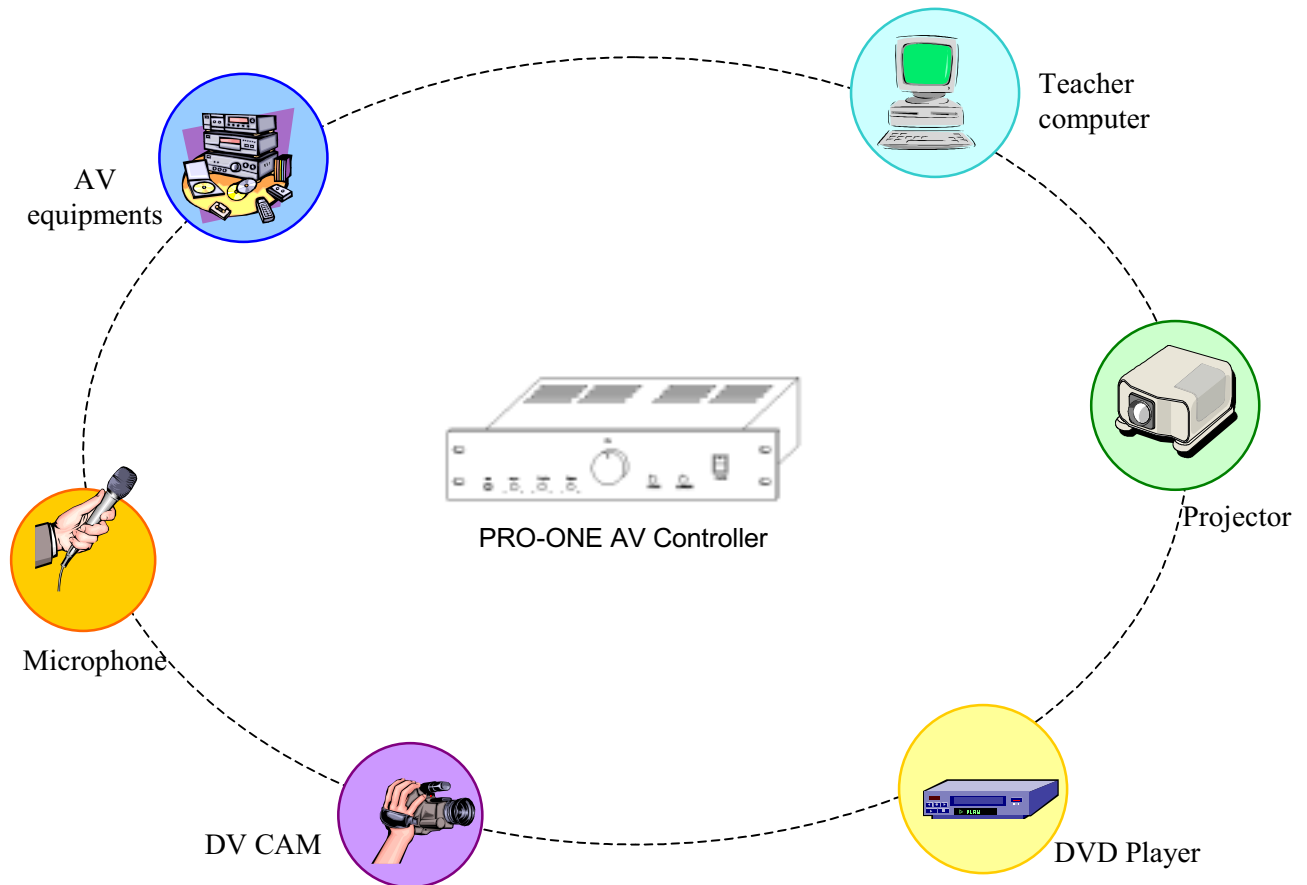


# PRO-ONE AV Controller

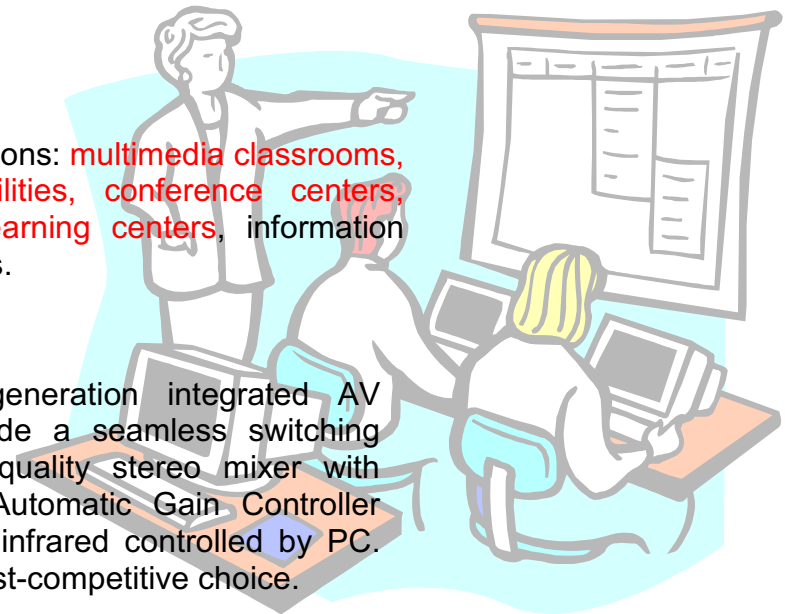
*Designed for multimedia classroom*



## Application

**PRO-ONE** is ideal for many applications: multimedia classrooms, language laboratory, training facilities, conference centers, videoconferencing and distance learning centers, information display centres and high tech homes.

**PRO-ONE** is Sun-Tech's new generation integrated AV controller. It is designed to provide a seamless switching between AV equipments, a high-quality stereo mixer with amplifier, a sophisticated stereo Automatic Gain Controller (AGC) and an IR infrared learner/ infrared controlled by PC. The all-in-one design is a perfect cost-competitive choice.

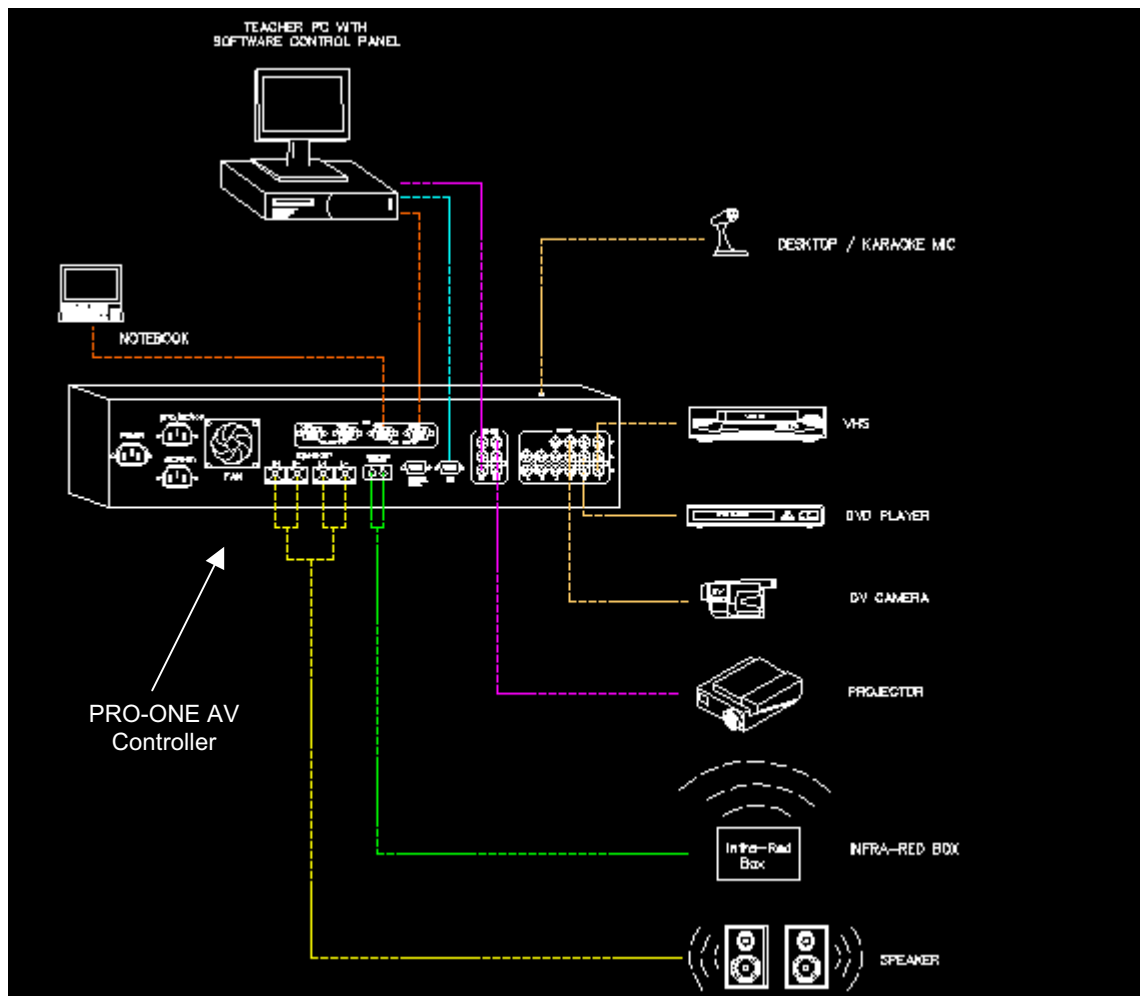
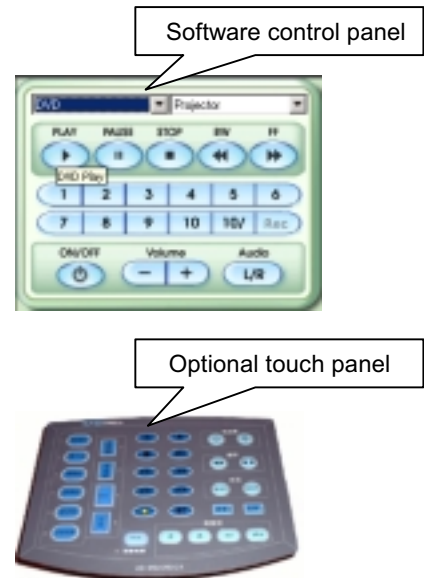


# PRO-ONE AV Controller

**PRO-ONE** allows teacher using an all-in-one, software panel to operate all AV equipments instead of using a number of remote controllers. Teachers can easily control the play mode, power on/off, volume and AV In/Output channel selection of such equipments as VCR, DVD, VCD, projector and cassette tape recorder.

## Features:

- 6 channel A/V selector inputs
- 2 channel A/V outputs
- 1 channel microphone inputs
- 2 channel VGA Input
- 2 channel VGA output with VGA splitter
- 50 W power amplifier with speaker output
- Full function Infrared remote control
- Infrared Remote Learner
- Mic echo, volume, treble and bass
- Projector power control
- Projector screen power control
- Power supply: 110-240 volt
- Rack Mountable



**Sun-Tech Business Systems Ltd.**  
 24/F Sunshine Plaza, 349-353 Lockhart Rd.,  
 Wan Chai, Hong Kong  
 Tel : (852)2783 0868 Fax: (852)2780 6644



A member of Softbank Investment Group

URL : <http://www.sun-tech.com.hk>  
 Email: [info@sun-tech.com.hk](mailto:info@sun-tech.com.hk)

**Sun-Tech Education (China) Ltd.**  
 Rm. 1324, New Technology Building, No. 7 Caoqiao,  
 Haidianzhen, Haidian District. Beijing  
 Tel: (86+10)6263 4263, 6263 5234 Fax: (86+10)6263 5263